

CLESTA II



TAKARA BELMONT CORPORATION
OSAKA HEADQUARTERS : 2-1-1, HIGASHI-SHINSAIBASHI, CHUO-KU, OSAKA, JAPAN 542-0083
TEL.+81-6-6213-5945 <http://www.takarabelmont.co.jp>

Dental Treatment Center

The manufacturer reserves the right to alter or improve specifications without notice.



Over The Patient Type

Belmont has combined cutting edge technology with traditional values for a dental treatment centre that offers sophistication, performance, flexibility and above all durability.

It epitomizes Belmont's reputation for innovation, style, practicality and reliability. Technologically advanced and superbly engineered it represents a new generation of dental systems.



Cart Type

The split cart type, crafted with a solid iron steel height-adjustable 'U' frame, offers additional flexibility.



With an optional large size operator's tray.

4.5m or 6m cart hose available as an optional extra.

Pedestal Type

Pedestal type cuspidor unit has no umbilical; this eliminates the need for a utility box, contributing to a tidier appearance and easier cleaning.



Utility box for pedestal type



Pedestal Type / Cart

Holder



A Type



E Type

Rod



With optional left side control panel for E type



A Type



E Type

Place



E Type

Variation

Type	Holder	Place	Rod
Over The Patient Type	A • E	E	A • E
Cart Type	A • E	E	-
Pedestal Type	A • E	E	A • E
Pedestal Type / Cart	A • E	E	-

A = Air Type E = Electric Type

Chair for Chair Mount Type



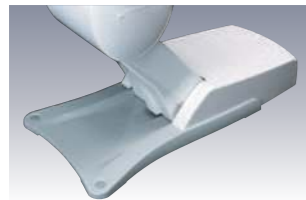
Adjustable chair positioning

A wider range of movements offers a practical working environment that meets all the operators' requirements.



Axis backrest

Synchronized axis backrest ensures optimum patient comfort at all times. Ultra slim backrest for ease of access for both operator and assistant.



Durable diecast base

The sleek styling of the durable aluminum diecast base offers the dentist improved access with maximum chair stability.



Service centre

The built in service centre eliminates the use of external umbilical hoses.

Chair for Pedestal Type



Folding legrest chair

Slim, yet comfortable backrest and vending chair enables easy access to the patient.



Axis backrest

The ergonomic, AXIS mechanism backrest supports the patient comfortably and accommodates the natural movements of the patient's body.



Armrest

Swing-out armrest allow the elderly, handicapped, and others in wheelchairs to get on and off safely and easily.



Joystick switch

The joystick switches enable the operator to position the patient quickly and accurately, keeping hands free and clean.

Unit



Central control panel

The central control panel incorporates easy clean membrane switches to control chair movements, cuspidor bowl flush and cup filler.



Integrated cuspidor

The highly durable integrated cuspidor creates an attractive, aseptic environment for the patient and the smooth surface makes it easy to clean.



Assistant's console

The assistant's console includes 3-way syringe, vacuum and saliva ejector tubings, and easy clean membrane switches to control chair movements, cuspidor bowl flush and cup filler.



Service outlet panel

The service outlet panel is easily accessible and simple to clean.



Foot control

A2 (Control of air instruments, water on/off and chip air) for A type. SE (Control of air instruments, water on/off, chip air and control of electric motor/scaler) for E type.



Operator's table

Incorporating holder type instrumentation with "first priority system", the operator's table is adjustable both vertically and horizontally to give optimal positioning.



Glass bowl

Detachable glass bowl is durable, transparent and easy to clean.



Solid collector

Easy access solid collector incorporates detachable lid and filter to enable quick and efficient cleaning.



Dental size film viewer

LED backlight intra oral film viewer



701 dental light

The smooth, balanced yet compact operating light with composite safe mode for increased operators efficiency. The unique sensor permits touchless on/off operation. The mirror and detachable handle are available as an optional extra. 28000/18000 lx at treatment mode and 8000 lx at composite safe mode.

Chair



Double articulating headrest

Easily adjustable for improved patient positioning. Suitable for both adult and child.



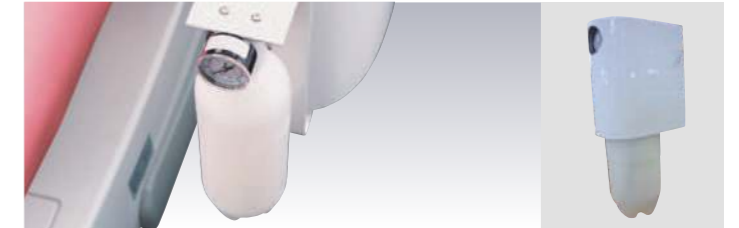
Right armrest

Right side armrest ensures patient's comfort and relaxation.



Ratchet gear type assistant holder arm

Ratchet gear type assistant holder arm enables easier height adjustment.



Bottled water system

The bottled water system can be integrated for supply of handpiece water.

Cover for bottle

Unit



Small size operator's table

The small size operator's table is also available.



Oil mist separator

Separates oil mist from exhausts of handpiece tubing.



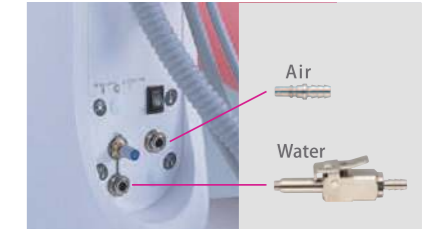
Flush out / Flush out tray

Flushing system (an optional for A type) enables easy cleaning of handpiece water lines, and flush out tray allows hands free and programmed flushing out.



Sensor cupfiller

Air timed cupfiller is available as standard. By choosing sensor cupfiller type, water is automatically dispensed when a cup is placed on cupfiller base. Cupfiller base is removable to aid disinfection.



Service coupler / Quick connector air / water

Service outlet for air. Water and air quick connectors for external instrument.



Panorama size film viewer

LED backlight panorama size film viewer. Not available for Rod type.



Flat screen monitor bracket

LCD (Liquid Crystal Display) bracket can be adjusted to suit individual needs (monitor not included).



Rectangular utility box

Rectangular utility box for easy installation. W 26 x D 56 x H 17 (cm)



Combined foot control

Multifunction foot switch allows manual control of chair or programmed position control. Both manual and programmed position control are also available on one foot control.



Foot control handle

A grip for portability of foot control to reduce hand contact.



Colored spittoon bowl

Available in pink, green and blue. Porcelain is also available (ivory color only).



Rotatable cuspidor

The cuspidor can rotate through 90° to facilitate patient access.

Light



IO 5000 light

Color corrected in the 5000k range. The unique sensor allows touchless on / off operation. Three light intensities 28000, 22000 and 15000lx.



300 LED light

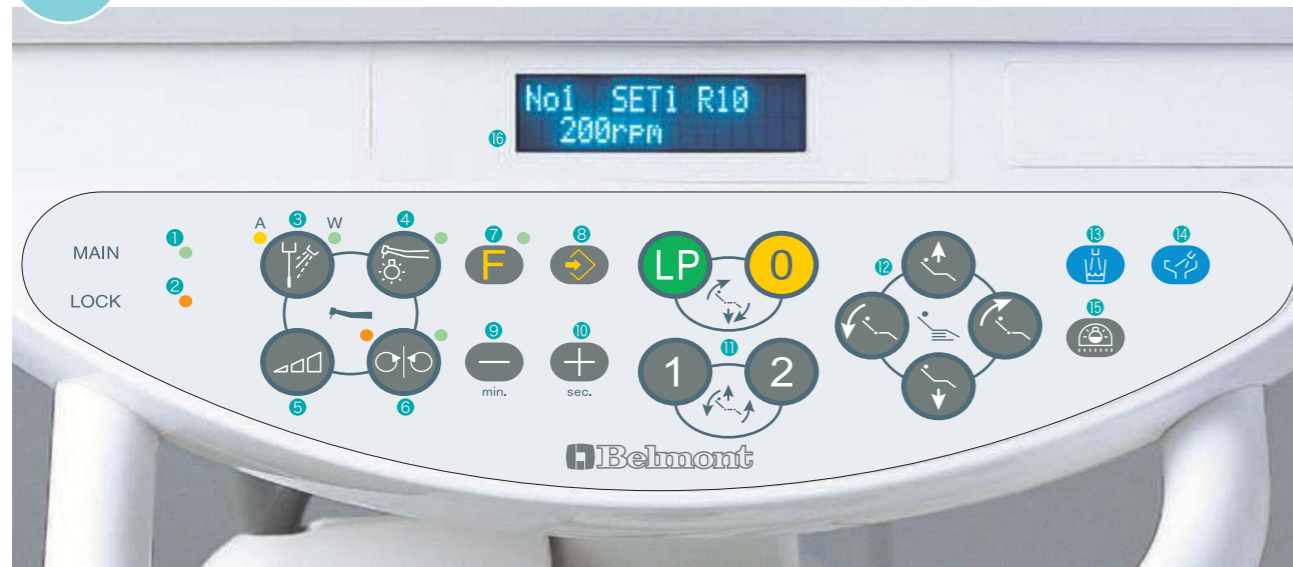
The 300 LED light provides sensor activation, stepless intensity between 3100 lx and 28000 lx, three axis rotation and clear light pattern. Composite safe mode at 4300 lx.



900 LED light

The 900 LED light provides sensor activation, stepless intensity between 4000 lx and 35500 lx, fluid three axis rotation and clear light pattern with high color rendering. Composite safe mode at 5500 lx.

Electric Type Control Panel (E Type)



- 1 Power Indicator
- 2 Safety Lock Indicator
- 3 Coolant Water ON/OFF Switch
- 4 Light Pack Switch
- 5 Micro Motor Speed Setting Switch
- 6 Micro Motor Direction Control Switch
- 7 Function Switch
- 8 Store Switch
- 9 Decreasing Switch
- 10 Increasing Switch
- 11 Chair Auto Mode Switches
- 12 Chair Manual Control Switches
- 13 Cupfiller Switch
- 14 Bowl Flush Switch
- 15 Dental Light Switch
- 16 Function Indicator

Function Switch (E Type)

	Timer	Timer set for alarm.
	Group Selection Mode	Preset position for chair and preset rotation speed for micro motor can be set for 4 groups of combination.
	Flush out system	The E type is available with a short and long time flushing system.
	Control panel switching sound on/off	Sound can be deactivated.
	Fiber optic handpiece lighting mode (Optional)	Handpiece lighting mode can be chosen.
	Electronic sound for timer	4 electronic timer sounds to choose from.
	Micro motor maximum speed setting (Optional)	The maximum rotation speed of the micro motor can be selected in 3 steps or 5 steps
	Coolant water ON/OFF switch	When using micro motor(s), either coolant water 2-mode or 4-mode of coolant water can be selected by mode select setup.
	Cupfiller and bowl flush	Select cupfiller and bowl flush to operate together or independently.

Digital Indicator



Micro Motor Mode

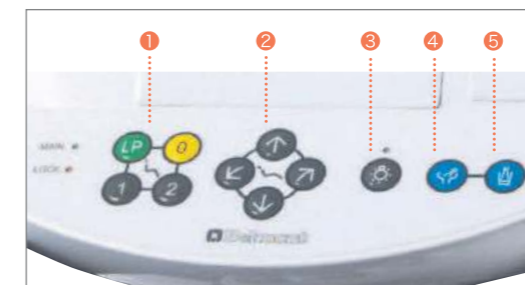
The micro motor rotation speed can be selected by sliding the foot controller pedal right or left. Rotation speed is displayed.



Scaler Mode

Easy to confirm which mode (scaler, end, perio) scaling is being selected. Power output by display.

Air Type Control Panel (A Type)



Membrane switches for chair controls and other necessary functions are clearly situated on the control panel of the operator's table.

- 1 Chair Auto Mode Switches
- 2 Chair Manual Control Switches
- 3 Light Pack Switch
- 4 Bowl Flush Switch
- 5 Cupfiller Switch

Upholstery Color Options

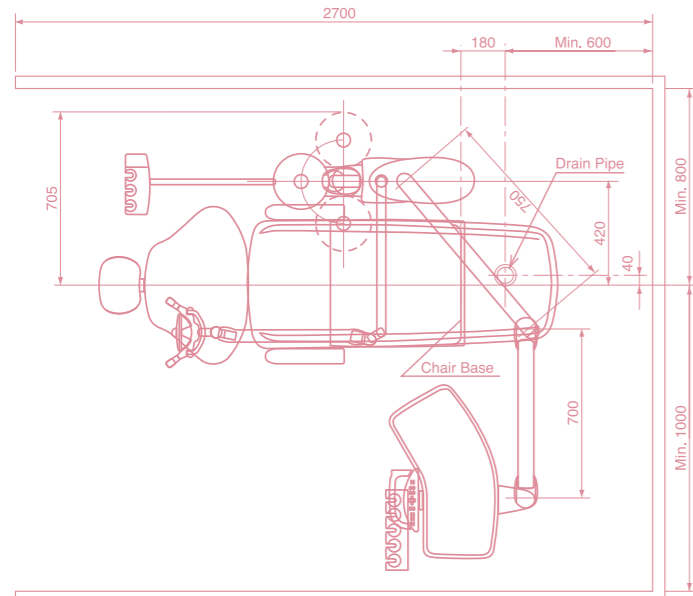


These colors are for information purposes only, please ask for a sample for a true representation.

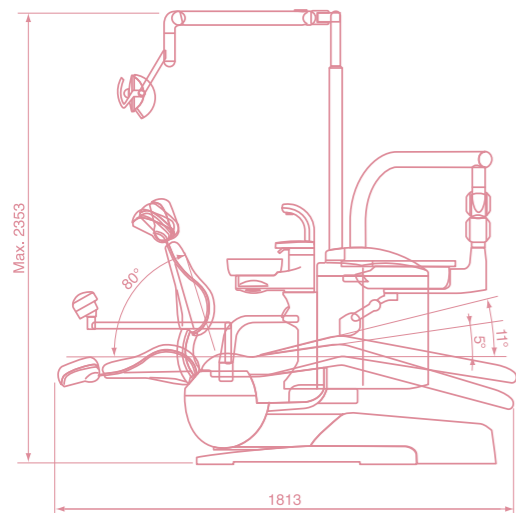
Dimensions

size (mm)

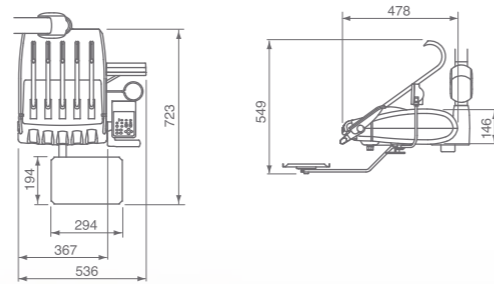
Over The Patient Type



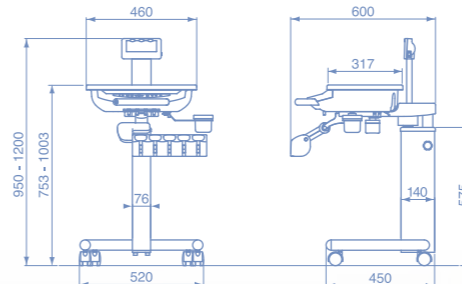
Seat Initial Height : 410 mm
Seat Lifting Stroke : 380 mm



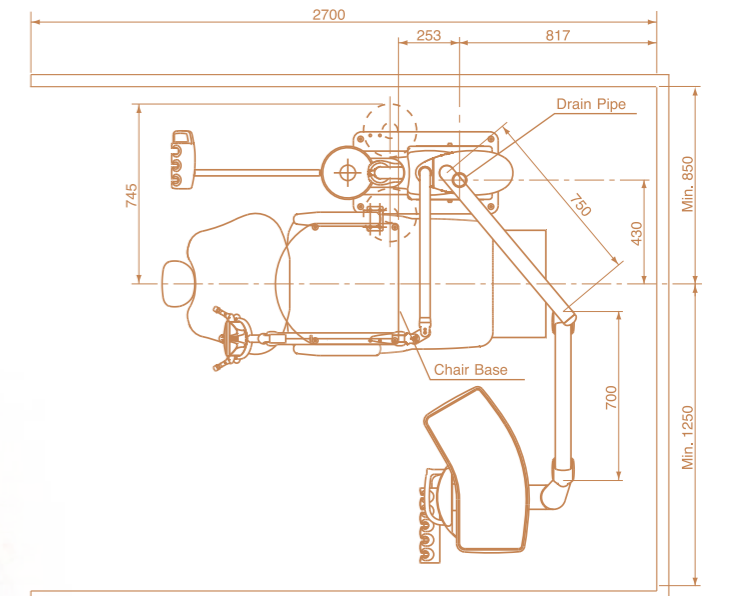
Rod Type



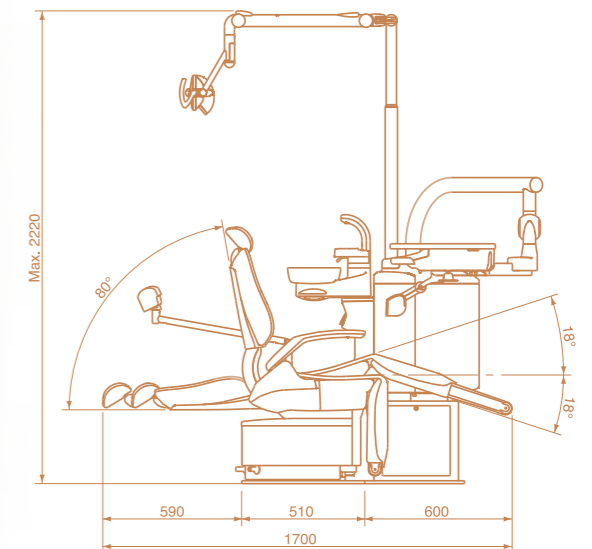
Cart Type



Pedestal Type



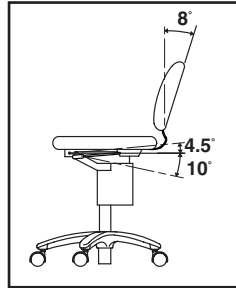
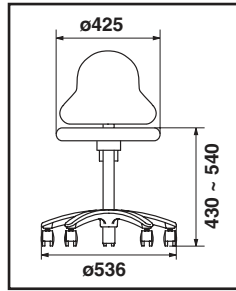
Seat Initial Height : 450 mm
Seat Lifting Stroke : 265 mm



DENTAL & MEDICAL STOOL



DX-004D



Specifications

Lifting Stroke --- 110 mm

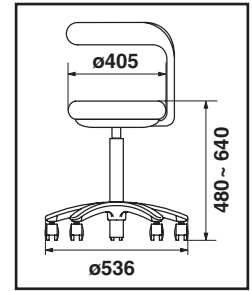
Net Weight ----- 14 kg

Tilting Angle ---- 14.5° (forward 4.5°)

Upholstery Choices --- CG / MR / UT

- Seat height and tilt adjustment by gas cylinder.
- Smooth and light seat height and tilt adjustment by hand lever.
- Seat and backrest tilt forward together for relaxed lumbar support and comfort.
- 5 leg, cast aluminum base provides maximum stability.

DX-002K



Specifications

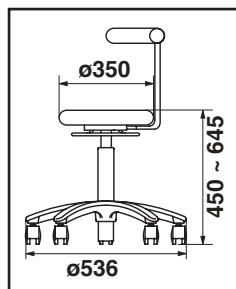
Lifting Stroke --- 160 mm

Net Weight ----- 14 kg

Upholstery Choices --- CG / MR / UT

- Seat height adjustment by gas cylinder.
- Ring lever is located under the seat, and smooth and light in adjustment.
- Fixed backrest for added stability, and can be used as an armrest.
- Extra thick cushion for comfort.
- 5 leg, cast aluminum base provides maximum stability.

DX-004A



Specifications

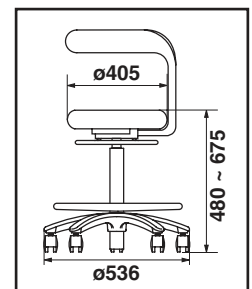
Lifting Stroke --- 195 mm

Net Weight ----- 10 kg

Upholstery Choices --- CG / MR

- Seat height adjustment by gas cylinder.
- Easily reachable seat height adjustment by ring lever.
- 360° rotatable backrest.
- 5 leg, cast aluminum base provides maximum stability.
- Footrest ring for comfort (optional).

DX-002N



Specifications

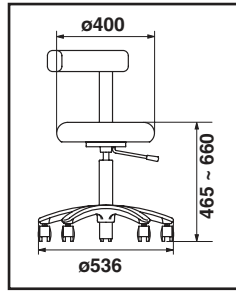
Lifting Stroke --- 195 mm

Net Weight ----- 16 kg

Upholstery Choices --- CG / MR / UT

- Seat height adjustment by gas cylinder.
- Easily reachable seat height adjustment by ring lever.
- Fixed backrest for added stability, and can be used as an armrest.
- Extra thick cushion for comfort.
- Footrest ring for comfort.
- 5 leg, cast aluminum base provides maximum stability.

DH-007N



Specifications

Lifting Stroke --- 195 mm

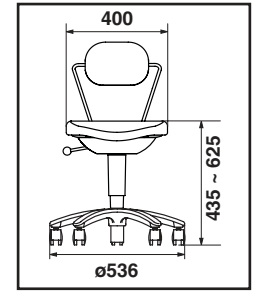
Net Weight ----- 10 kg

Upholstery Choices --- TS,(UT) *

* (UT) stitches are apparent on the surface.

- Seat height adjustment by gas cylinder.
- Smooth and light seat height adjustment by hand lever.
- Fixed backrest for added stability.
- 5 leg, cast aluminum base provides maximum stability.

DH-009L



Specifications

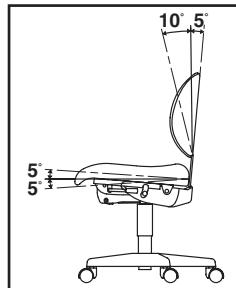
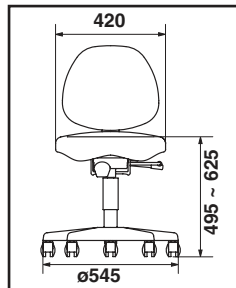
Lifting Stroke --- 190 mm

Net Weight ----- 10 kg

Upholstery Choices --- CG / MR / CN

- Seat height and tilt adjustment by gas cylinder.
- Smooth and light seat height adjustment by hand lever.
- Two brake equipped casters to prevent inadvertent movement are released when seated.
- Seat ergonomically designed to fit females.
- Comfortably accommodates treatment with a forward-bent posture.

DH-008D



Specifications

Lifting Stroke --- 160 mm

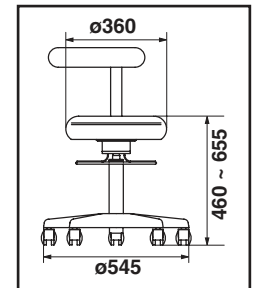
Net Weight ----- 16 kg

Tilting Angle ---- 14.5° (forward 4.5°)

Upholstery Choices --- CG / MR / UT

- Seat height and tilt adjustment by gas cylinder.
- Smooth and light seat height and tilt adjustment by hand lever.
- Seat and backrest tilt forward together for relaxed lumbar support and comfort.
- Ergonomically contoured seat.

DH-008A



Specifications

Lifting Stroke --- 195 mm

Net Weight ----- 9.5 kg

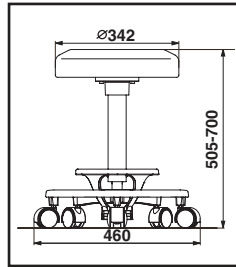
Upholstery Choices --- CG / MR / UT

- Seat height adjustment by gas cylinder.
- Smooth and light seat height adjustment by hand lever.
- 360°rotatable backrest.
- Ergonomically contoured seat.

DR-009F Operating Stool



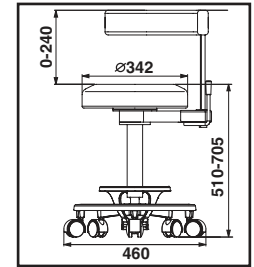
Backrest DR-BS
(Optional)



Specifications
Lifting Stroke ----- 195 mm
Net Weight -----
10kg (without backrest)
Upholstery Choices --- ES08

- Seat height adjustment by gas cylinder.
- Smooth and light seat height adjustment by ring lever.
- Highly stabilized and compact base for operating rooms and treatment rooms.
- Foot control keeps hands clean.

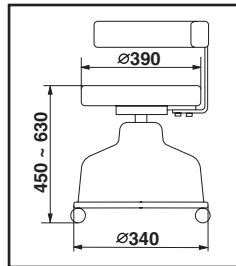
DR-007FS Operating Stool



Specifications
Lifting Stroke ----- 195 mm
Net Weight ----- 13 kg
Upholstery Choices --- ES08

- Seat height adjustment by gas cylinder.
- Smooth and light seat height adjustment by ring lever.
- Highly stabilized and compact base for operating rooms and treatment rooms.
- 360°rotatable backrest and 250mm adjustable height for the ideal posture of the doctor.
- Foot control keeps hands clean.

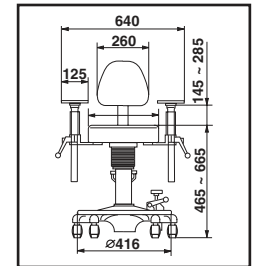
DR-010DN



Specifications
Lifting Stroke ----- 180 mm
Net Weight ----- 29 kg
Rating Voltage -----
AC 110/ 220/ 230/ 240 V
Upholstery Choices --- 025

- Seat height adjustment by electro-hydraulic pump.
- Smooth and light seat height adjustment by pedal switch.
- Low initial height and height adjustment for the ideal posture of the doctor.

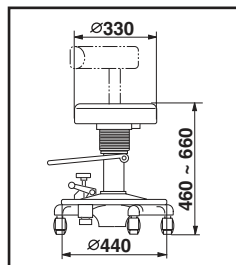
HY-1200 Operating Stool



Specifications
Lifting Stroke -----200 mm
Net Weight ----- 27 kg
Upholstery Choices -----M1

- Seat height adjustment by hydraulic pump.
- Height adjustable armrest with sliding movement.
- Foot control keeps hands clean.
- Stable and compact base for easy access to surgical areas.

HY-1100 Operating Stool



Specifications
Lifting Stroke ----- 200 mm
Net Weight ----- 18 kg
Upholstery Choices --- 025
Backrest ----- Option

- Seat height adjustment by hydraulic pump.
- Foot control keeps hands clean.
- Stable and compact base for easy access to surgical areas.

The manufacturer reserves the right to alter specifications without prior notice.

Belmont®

TAKARA BELMONT CORPORATION
2-1-1, Higashishinsaibashi,
Chuo-ku, Osaka, 542-0083, Japan
TEL : 81-6-6213-5945
FAX : 81-6-6212-3680

tbCOMPASS

Ambidextrous Treatment Centres



Ambidextrous delivery options :

tbCOMPASS

Unrivalled console mobility and tbCompass's determined versatility bring all the benefits of convenience, flexibility, efficiency and Patient comfort.

Belmont's base-mounted delivery system design is an understated advancement in dentistry and Patient care.

Ambidextrous capability across the range doubles the qualification of tbCompass in any configuration to perform excellent service for any Operator and procedure.

tbCompass 'Surgery System' (Ambidextrous)



tbCompass 'Flexible Dr System' (Ambidextrous)
chair and Operator's console



tbCompass 'Flexible Cuspidor System' (Ambidextrous)
chair and cuspidor with Assistant's console



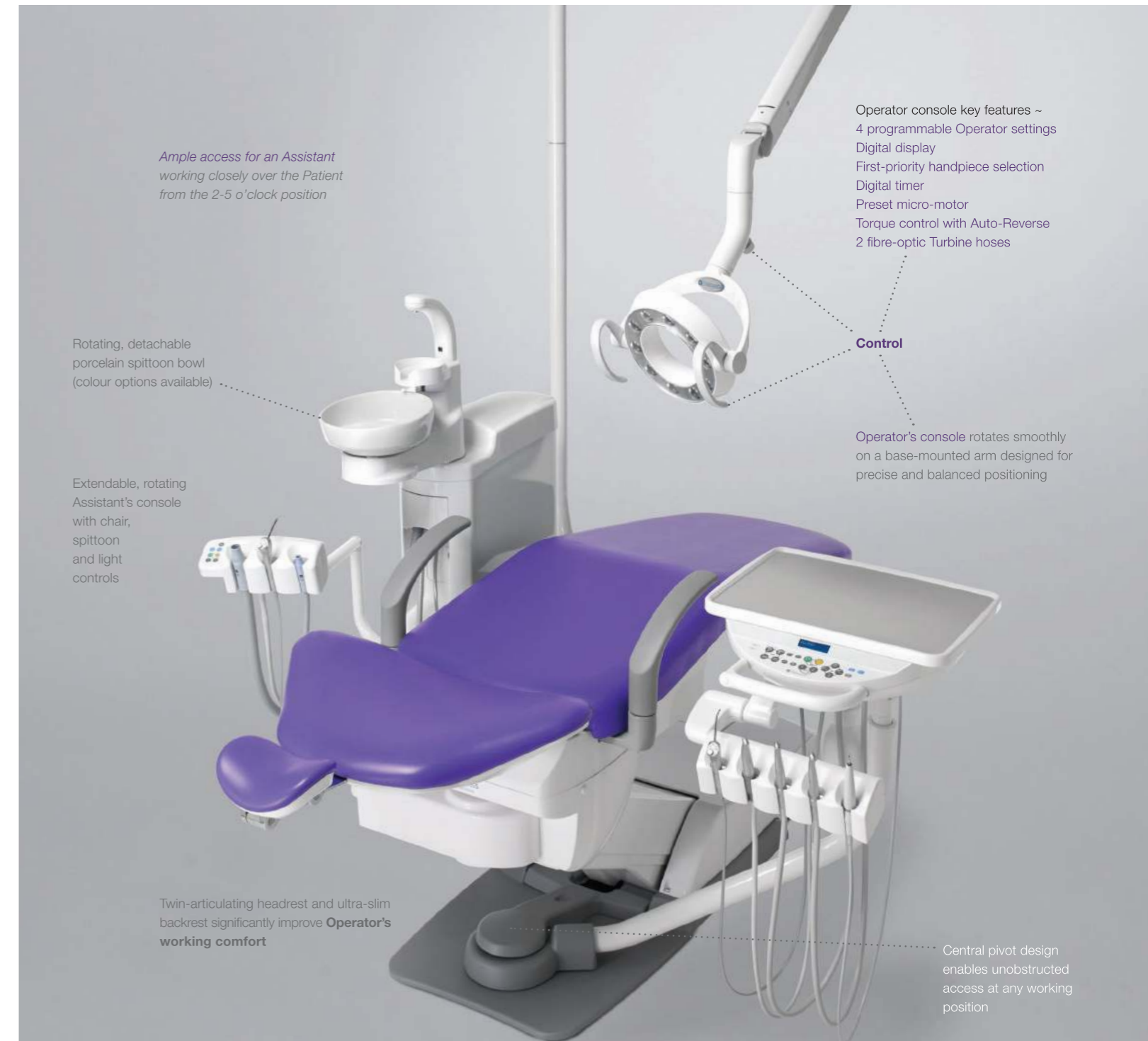
for better daily dentistry :

tbCOMPASS

From an elegant, slim base-mounted arm comes a responsiveness which ensures Operators achieve comfortable working positions.

tbCompass 'SURGERY SYSTEM'

900 LED chair-mounted Operating Light



Ample access for an Assistant working closely over the Patient from the 2-5 o'clock position

Rotating, detachable porcelain spittoon bowl (colour options available)

Extendable, rotating Assistant's console with chair, spittoon and light controls

Twin-articulating headrest and ultra-slim backrest significantly improve Operator's working comfort

Operator console key features ~
4 programmable Operator settings
Digital display
First-priority handpiece selection
Digital timer
Preset micro-motor
Torque control with Auto-Reverse
2 fibre-optic Turbine hoses

Control

Operator's console rotates smoothly on a base-mounted arm designed for precise and balanced positioning

Central pivot design enables unobstructed access at any working position

Control and discretion are the finest traits of the tbCompass delivery system. An intelligent delivery solution which seeks to conceal the instruments from Patient-view without comprising working comfort. Designed for uninterrupted dentistry in the most demanding surgery environments, tbCompass is pointing to the future.

Increased surgery efficiency & Patient access :



Base-mounted swing-arm delivery system provides the full range of Operator access

To improve efficiency and increase workflow are the key aims of the tbCompass treatment centre. Sheer mobility enables simultaneous tasks to be carried out, thus saving the Patient and surgery time.



PATIENT ACCESS

Operator's console poses zero-obstruction to Patient entry offering unusually welcoming access to the chair.

Positioning the Operator's console behind the chair, and instruments out of the Patient's view, makes a huge contribution to reduced Patient anxiety.

comfort for all Dentists & Patients :

tbCOMPASS

Correct ergonomics and smooth movements ensure that tbCompass is a pleasure to work with at any position.

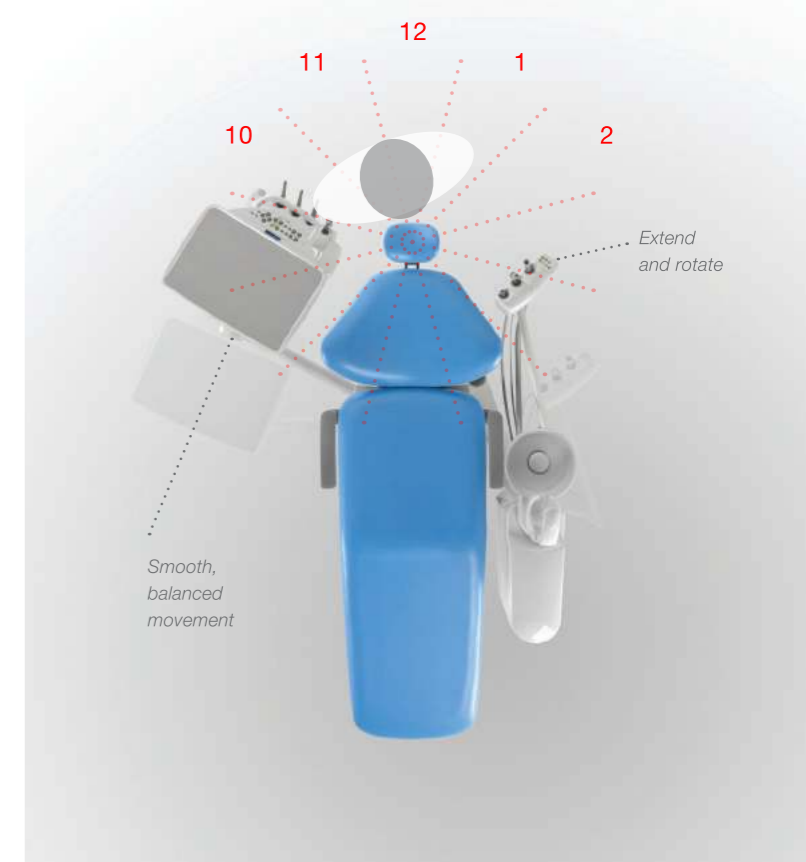
tbCompass 'SURGERY SYSTEM'

Extensive access for Assistants working at 2-5 o'clock

Simultaneous preparation and consultation saves valuable working time between every Patient. The uniquely perfect clean and preparation arrangement to the rear of the chair also improves lines of communication between Operator and Assistant.



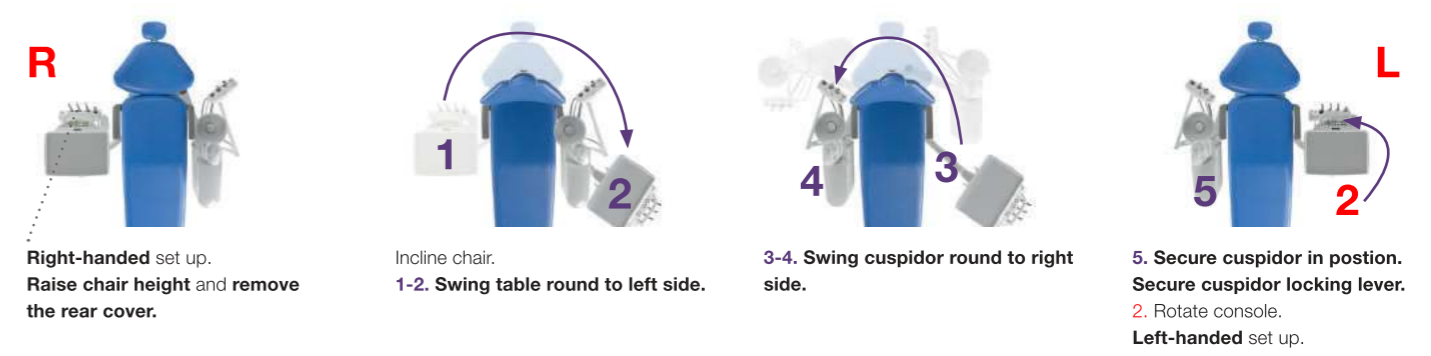
Comfortable single- and four-handed working positions with excellent versatility of the Operator's and Assistant's consoles.



60 second changeover from left- to right-side delivery, or vice versa requires no tools or expertise. The simple procedure results in identical conditions for left- and right-handed Operators.



Rear cover is easily removed/replaced without tools or expertise



Right-handed set up.
Raise chair height and remove the rear cover.

Incline chair.
1-2. Swing table round to left side.

3-4. Swing cuspidor round to right side.

5. Secure cuspidor in position. Secure cuspidor locking lever.
2. Rotate console.
Left-handed set up.

tbCompass 'Flexible' treatment centres :

Flexible configurations to suit any Practice and procedure.

Considered flexibility of instrument configuration to fulfil individual preferences.

tbCompass 'FLEXIBLE CUSPIDOR SYSTEM'

Rotating armrests

Upholstery colour options

tbCompass Flexible Systems offer surgeries the versatility of an ambidextrous Operator's console or cuspidor with the tbCompass chair.

Both systems provide unobstructed access to accommodate your existing surgery architecture or preferred working style.

Height-adjustable Assistant's console is available

Operator's console rotates smoothly on a base-mounted arm designed for precise and balanced positioning

tbCompass 'FLEXIBLE Dr SYSTEM'

Removable rubber mat

Twin-axis headrest and ultra-slim backrest significantly improve Operator's working comfort

Central pivot design enables unobstructed access at any working position

520mm min. seat height / 820mm max. seat height



tailored options :



Operator's control panel includes instrument, chair, spittoon and light/call nurse controls. Additionally includes preset micro-motor to run torque control with Auto-Reverse, and 2 fibre-optic Turbine hoses



Height-adjustable Assistant's console



Ambidextrous cuspidor with rotating and detachable porcelain spittoon bowl. Spittoon bowl colour options: porcelain or clear/blue/green/pink glass.



900 SERIES LIGHT
Chair- or ceiling-mounted
5,000 Kelvin, ten LEDs
Stepless intensity control:
4,000 Lux to 32,000 Lux
Composite Curing Safe Mode (5,500 Lux)



LED bulbs consume less power and maintain significantly lower heat during operation



820S LIGHT
Chair-mounted
5,000 Kelvin, Halogen light
Three preset intensities:
18,000 Lux, 28,000 Lux and
Composite Curing Safe Mode

ON/OFF Touchless sensors on all lights



700 SERIES LIGHT
Chair- or ceiling-mounted¹
4,200 Kelvin, Halogen light
Three preset intensities:
18,000 Lux, 28,000 Lux and
Composite Curing Safe Mode

Soft-push button with intensity indicator features on 700 Series and 820S models



Clean water system beneath Operator's console (optional extra)



Control all chair movements by hand or foot: by hand from both the Operator's and Assistant's console or by using the foot-control.



Foot control for instruments and chair

TAKARA BELMONT CORPORATION

Headquarters

2-1-1, Higashishinsaibashi, Chuo-ku, Osaka, 542-0083 JAPAN

Telephone +81 (0)6 6213 5945

Facsimile +81 (0)6 6212 3680

Online www.takara-net.com

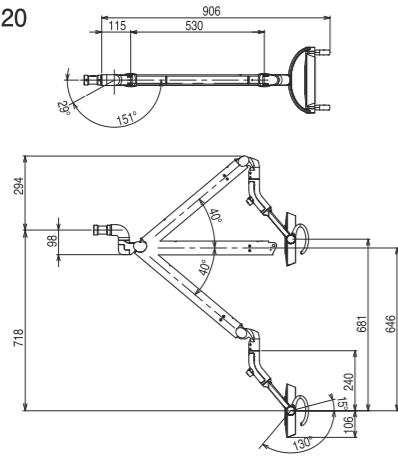
The manufacturer reserves the right to alter and improve specification without notice.



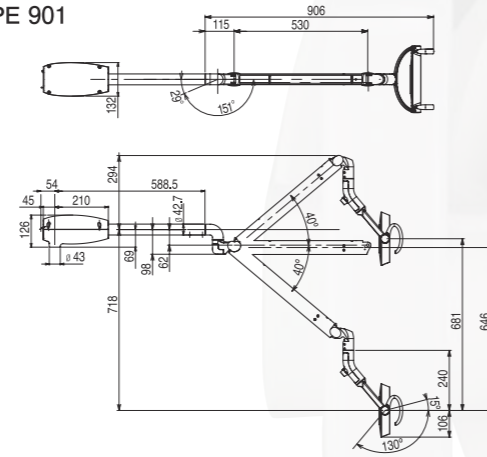
tbCOMPASS

Dimensions

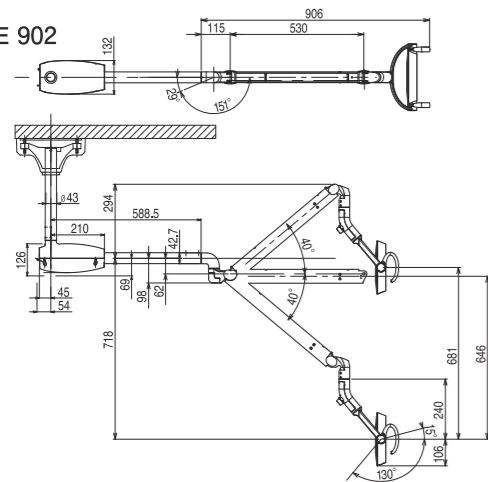
TYPE 920



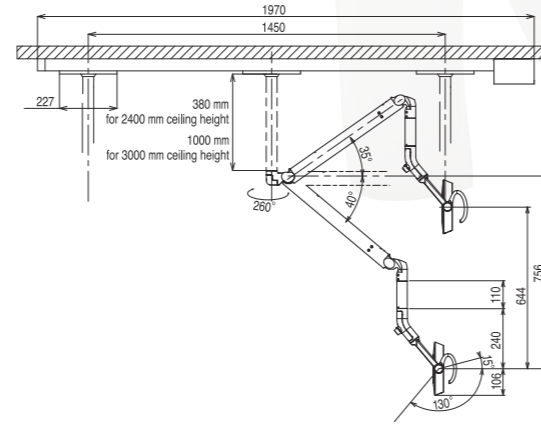
TYPE 901



TYPE 902



TYPE 905



(mm)

Specifications

■ Rating Voltage	100 ~ 240 V 50/60 Hz (AL920: DC 20V)	■ Color rendering index	More than 90
■ Intensity	4,000 ~ 32,000 lx (Stepless) 5,500 lx at composite safe mode	■ Focal Distance	650 mm
■ Color temperature	5,000° Kelvin at any intensity	■ Light pattern	85 mm x 155 mm
		■ Bulb Type	High Rendering LED

The manufacturers reserve the right to alter and improve the specification without notice.

 **Belmont**

TAKARA BELMONT CORPORATION
2-1-1, Higashishinsaibashi, Chuo-ku, Osaka, 542-0083, Japan
TEL: +81 (0)6 6213 5945
FAX: +81 (0)6 6212 3680
<http://www.takara-net.com>

BOOK NO. D-009
Printed in Japan 1108MA

DENTAL LIGHT 900

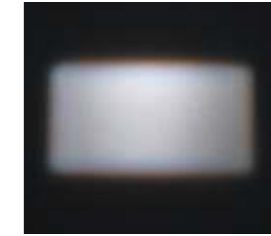
 **Belmont**

Correct Color Rendering
Easy On The Eyes
Easy Operation



Brightness distribution

900 DENTAL LIGHT is engineered to minimize eye fatigue. The rectangular light pattern is brightest inside of the oral cavity and gradually becomes less bright across the patient's cheek area.



Fluid positioning

Smooth, three-axis light head rotation permits stress-free light head positioning with one hand. Positioning flexibility directs illumination to area where it is needed.



Intensity adjustment

Each operator has different ambient light conditions. With this in mind, 900 DENTAL LIGHT lights include a stepless intensity control to adjust brightness to fit the actual operator light condition. Light output can be adjusted between 4,000 lx and 32,000 lx, while maintaining the 5,000°K color temperature that is ideal for shade matching.



900 DENTAL LIGHT provides cool white LED illumination of the oral cavity for correct tooth shade matching and for the differentiation of soft tissue structure.

The well-defined, 85mm x 155mm rectangular light pattern remains unaffected when an obstruction of up to 50% of light head is placed between the light and patient.

900 DENTAL LIGHT operation is sensor activated, so it is not necessary to look away from patient to operate light. Touchless ON/OFF and Composite Safe Mode activation are done without ever contacting the light.

Long Life

With LED bulb life expectancy of 40,000 hours, it is likely that bulb replacement will never be needed.

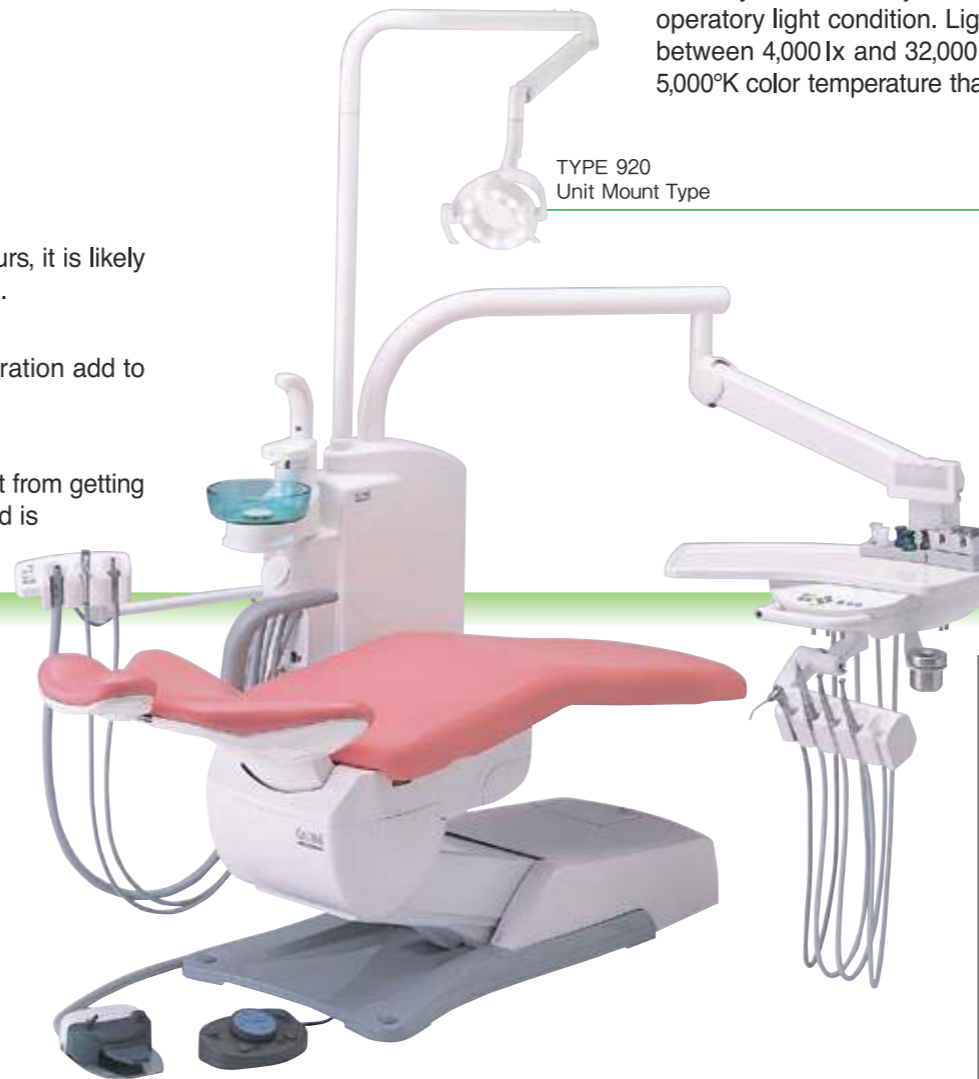
Economical

Low power consumption and no heat generation add to long term savings and to patient comfort.

Cleaning

Clear bulb cover ring prevents mists and dust from getting inside of the light head. The entire light head is easily cleaned.

TYPE 920
Unit Mount Type



TYPE 902
Ceiling Mount Type



TYPE 905
Track Mount Type



TYPE 901
Post Mount Type
(post not included)

Installation Variations



Chair mounted Holder type



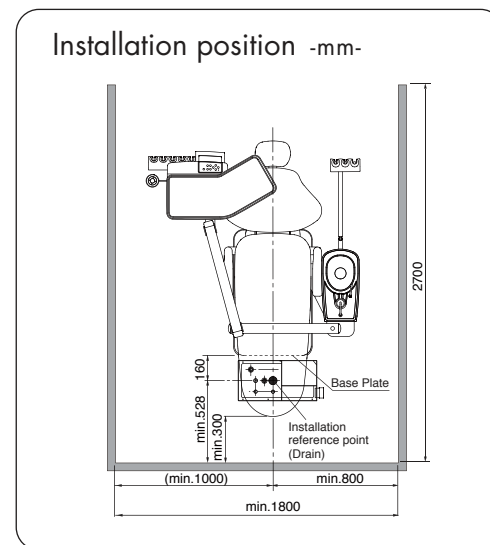
Chair mounted Continental type



Pedodontic type



Cart Holder type



The manufactures reserve the right to alter and improve the specification without notice.

The next generation of design and reliability

CLESTA eIII

Product of Japan



Dental Treatment Center

Belmont combines its dental industry knowledge with innovative technology.

Efficiency

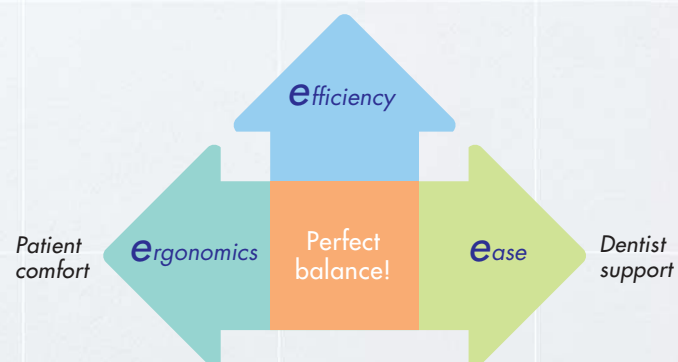
Through the perfect balance of an ergonomically designed chair and a unit offering smart user interfaces and operational ease, the Clesta eIII creates the ideal dentistry environment for both patient and dentist and ensures efficient and effective practices.

Designed to deliver unparalleled patient comfort in any position, the Clesta eIII chair features an axis backrest, an ultra-smooth tilting mechanism, and ergonomically shaped cushions.

Ergonomics

Inheriting the ease-enhancing tradition of Clesta dental systems, the Clesta eIII offers a smooth-moving operator's table and easy-access handpiece holders to minimize stress during use.

Ease



Clesta eIII offers dentists and patients alike the comfort of smooth dental treatment.

The combination of electric-hydraulic and air operated system ensures a high standard of reliability and safety.

Compact, lightweight, and easy-to-operate LED light facilitates dental treatment.

Touchless sensor on/off control
Intensity: 3,100 lux ~ 28,000 lux, 4,300 lux (composite mode)
Color temperature: 5,000 K
Color rendering index: Ra85
Light pattern: 85 mm x 155 mm at 650 mm
Head positioning: Rotation of head at three axes

Easy-to-clean porcelain cuspidor bowl is shaped to prevent rinsing water from spilling out.

Assistant console is allowing easy chair control from assistant side. And it is easy clean for its membrane switch.

More powerful suction capability by adopting newly developed solid collector.

Ergonomically designed chair cushion ensures patient comfort.

For optimum comfort, the reclining backrest was designed to prevent the patient from sliding.

Powerful hydraulic system enables a wide range of lift heights (from an initial seat height of 420 mm up to 800 mm).

Base plate is resin covered for easy cleaning.

Large operator's table ensures ease of use.

Simple and ergonomically designed membrane switches are easy to use.

Employing an air brake system, the delivery arm enhances mobility and flexibility during dental practice.

Swiveling handpiece holder for most appropriate position for doctor.



A variety of optional accessories provides greater flexibility of dental treatment.



Flushing system / Flushout tray
The flushing system enables easy cleaning of handpiece water lines. The flushout tray as an extra option allows hands-free, flushing out.



Water heater
For use with the cupfiller, the water heater helps protect temperature-sensitive teeth.



Assistant holder
Assistant sub-tray increases assistant's work efficiency. (Metal sub-tray is not included) Moreover, curing light holder enhances the operability of the curing light HVE tips and SE tip are optional.



Service outlet / Quick connector
Air and water service outlets and quick connectors for external instruments bring added convenience.



Double articulating headrest
Suitable for children and adults, the double articulating headrest adjusts easily for improved patient positioning.



Bracket for flat-screen monitor
This LCD (Liquid Crystal Display) bracket can be adjusted to suit individual needs (monitor not included).



Multifunction foot control
The foot control contains two switches to regulate chair movement: a manual control switch for up, down, forward, and backward movement and a programmed-position control switch for 0, 1, 2, and last positions.



io5000 light
Touchless sensor on/off control
Intensity: 28,000 lux (High), 22,000 lux (Medium) & 15,000 lux (Low)
Color temperature: 5,000 K
Light pattern: 72 mm x 194 mm at 700 mm



048 light
Dual-intensity on/off control
Intensity: 28,000 lux (High), 18,000 lux (Low)
Color temperature: 3,700 K
Light pattern: 80 mm x 200 mm at 725 mm



Bottled water system
The bottled water system offers a choice of 750-ml or 2-liter bottles and can be integrated into the unit to supply handpiece water. The aesthetic cover is an extra option.



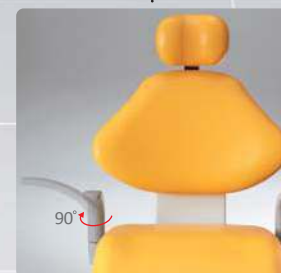
Panorama-size film viewer
The Dental-size or panorama-size film viewer features an LED backlight.



Accessories
Operator table accessories-waste receptacle and cotton container with a stand-support hygienic practices.



Control panel for electric scaler and micro-motor.



Right armrest
A swing-out armrest for the right side promotes patient comfort and relaxation.



Pedodontic chair
Clesta eIII PEDO has a smaller backrest, a narrower seat and a cuspidor positioned lower to accommodate young children. The double articulating headrest and the armrest on the right side are optional.

Upholstery Color Options

- MR1 DARK BLUE
- CG18 GRAY TEAL
- MR2 PURPLE
- CG19 BLUE
- CG23 LIGHT GREEN
- ES16 LIGHT BLUE
- CG22 LIGHT PINK
- CG17 SAFFRON
- ES18 YELLOW GREEN
- CG15 LIME GREEN
- CG2 IVORY
- CG3 LIGHT GRAY
- CG8 BEIGE
- ES14 CAMEL
- CG16 MAUVE
- CG5 BLACK
- ES12 BORDEAUX
- ES11 CHOCOLATE

CP-ONE PLUS





IDENTITY
OF
CP-ONE PLUS

T h i n k i n g o f A l l

Thinking of Communication

Thinking of Patient Comfort

Thinking of Operator Comfort

CP-ONE PLUS: Thinking of All

A dental unit thought out from all perspectives.

The dental chair and unit are the key factors in ensuring safe care with accurate diagnosis, precise treatment and reliable counseling.

The CP-ONE PLUS was designed by incorporating doctors' requirements and desires one by one, from the treatment space all the way down to minute details that will be recognized through doctors' fingertips.

An ideal treatment environment, the CP-ONE PLUS is the **Thinking of All** dental chair and unit, the answer to doctors' aspirations, made possible only through the fusion of the expertise and technological leadership of Takara Belmont.



ARG
DELIVERY
SYSTEM

ASSISTANT
UNIT

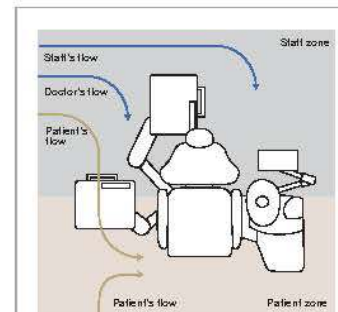
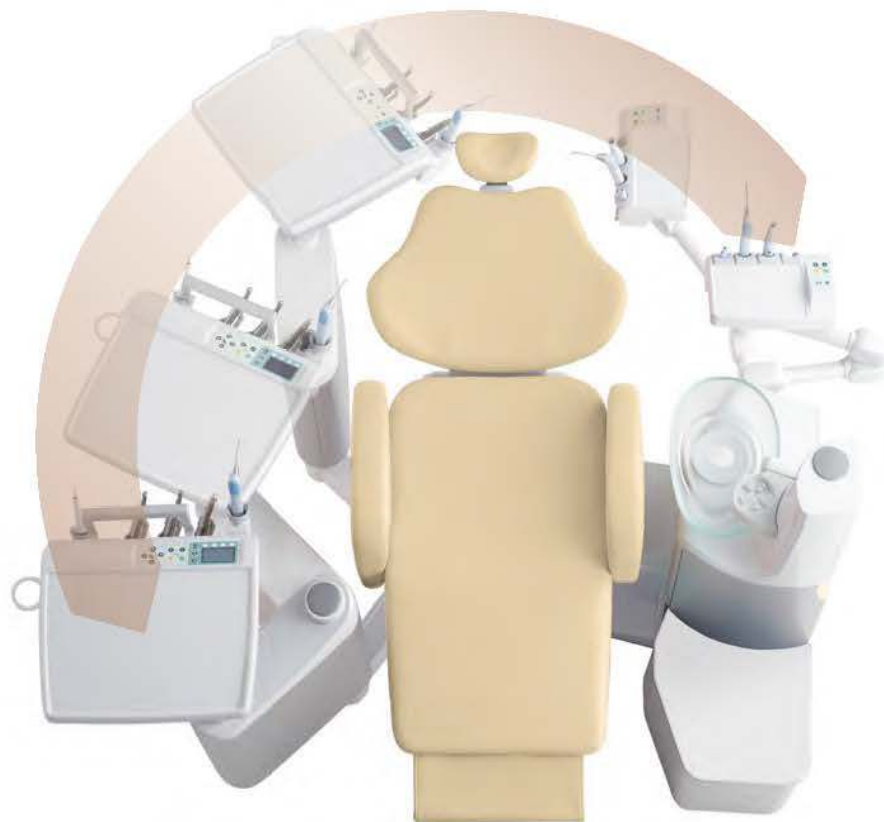
Thinking of Communication

The first step to create a comfortable dental space is to know the right flow of patients and operators. CP One Plus creates an effective operation space combined with comfort and functionality by centering the patient's mouth and carefully calculating the movable range of doctor and assistant table.

Patient's entry into the room to sit on a chair. Treatment activities involving various movements by operators and patients. The key to success lies in managing them into one streamlined combination of flow.

Wide range of positioning

Inherited from the CP-ONE is the arc delivery system, the doctor table can be smoothly moved for the 6 to 2 o'clock position. Furthermore, with the expanded assistant's area, it is compatible with 2-hand, 4-hand, and 6-hand operations.



Example of flow
Create a smooth treatment flow, "Flow line separation"

By dividing the patient zone and staff zone, you can avoid the interference and create a comfort space for the patient when he/she enters. You can also mitigate the patient's fear by sliding the doctor table to keep the handpieces away from their sight. Thanks to the separation of staff flow, cross infection is also preventable.



Thanks to its folding legrest chair, the doctor can stand or sit directly in front of the patient, the doctor can take a face to face communication and also perform an accurate check-up.
Standard arm : 128°
Longer arm : 188°
*Refer to page 11



REMOVABLE
ARMREST

LOW
SEAT
HEIGHT

LEG REST
HEATER

Thinking of Patient Comfort

The CP-ONE PLUS chair has been ergonomically and luxuriously designed to provide true comfort for all patients in addition to reliability.

The CP-ONE PLUS is not only a dental chair and unit, but also a communication tool that builds trust.



Low initial height of 400 mm

Sitting down and getting up is easier for children, the elderly and those with limited mobility, as the chair can be accessed either from the side or directly from the front.



Shockless movement

The slow slide valve eliminates any jarring movements of the chair, keeping the patient calm and comfortable for a stress-free treatment.



90-degree eye-contact position

allows the viewpoints of both the patient and the doctor to converge. This position is conducive to a natural, stress-free atmosphere for discussion and provides for relaxed, through communication.



Comfortable headrest movement

The axis power headrest is designed based on ergonomic analysis of the head and its movement.



Separation of Communication monitor's and doctor table's movement

The monitor mounted on the doctor table will encourage more effective communication, especially in terms of informed consent. When you are counseling, you can move the doctor table away from the patient's sight and communicate with them at the ideal eye contact position.
(The monitor bracket is an option and mountable only on the standard arm doctor table type.)



SLOW SLIDE VALVE

JOYSTICK SWITCH

FOOT CONTROLLER

Thinking of Operator Comfort

The CP-ONE PLUS not only addresses operators' daily requirements, but also meets unfulfilled demands. The doctor table provides an extra smooth transfer of instruments into and from the holder, a high level of visibility with the organic EL display, and a simple interface for various controls that encourage the doctor to concentrate his/her treatment without stress.



Hydraulic-powered headrest

The doctor can easily adjust the headrest position from the table or stick switch.



Stick switch for chair and/or headrest control

Easy to operate chair (manual and/or preset position) and/or headrest controls keep hands sterile. One is standard, and an extra is optional to provide further functionality.



Realization of intuitive and versatile operation

The disc of foot controller wired to the chair base is operated in two ways, stepping or rotating. Further more the disc can be controlled from any angles. These different ways of control makes operation comfortable and smoother. The rotation speed of the motor can be adjusted by the sliding the pedal and degree of stepping on the pedal.



High stroke 400mm

High stroke chair is suitable for surgical operation and extraction. Our original mechanism made it possible to create the low initial height chair up to 800mm height.



Roll up leg rest creates more space for doctor at 6 o'clock diagnosis

The doctor can approach more to the patient thanks to the roll up type of leg rest.

Doctor Table

HANDPIECE



HANDPIECE DELIVERY

The redesigned handpiece holder is adjustable horizontally and vertically, which ensures that the doctor always has his tools within easy reach. Two types of handpiece storage are available, holder type and place type. Both types are detachable and autoclavable for hygiene control. The height of the new doctor table is easily adjustable (100 mm) without any special tools.

New control panel

Versatile function with a simple, easy to operate control panel and highly viewable organic EL display

SIMPLE INTERFACE



Membrane Switch

- Handpiece light On/Off
- Handpiece air/water control
- Micromotor direction control
- Chair control (preset position)
- Chair and headrest manual control

DIGITAL INDICATOR



High speed turbine control
You can choose the start rotational speed of turbine from four types. (LL→LOW→STD→HI)



Micromotor control
Highly configurable power control between 2,000–40,000 rpm.

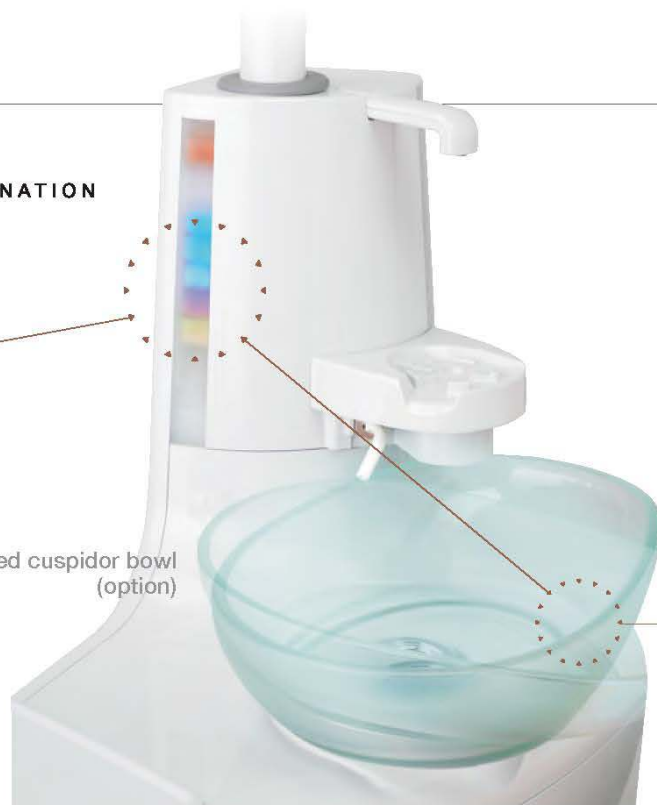


Ultrasonic scaler control
Power control by 10 steps (1→10) for Scaling/Perio/Endo mode respectively

Cuspidor Bowl and Assistant Holder

LED ILLUMINATION (option)

Motorized cuspidor bowl (option)



LED shows the safety lock status, the hand piece coolant water volume and the rotational direction of micro motor. The dentist can concentrate on the treatment by recognizing the status at sight.

Illumination pattern

Chair lock/Hand piece light	Coolant water volume	Micro motor Forward/Reverse mode
<ul style="list-style-type: none"> ON Safety switch active OFF Normal safe conditions ON Handpiece light is lit OFF Handpiece light is off All handpieces are in the holder 	<ul style="list-style-type: none"> OFF Water spray volume from 1 to 3 levels 3 2 1 OFF Air only/ water volume off All handpieces are in the holder 	<ul style="list-style-type: none"> ON Green/ Rotational direction is forward Orange/ Rotational direction is reverse OFF Picked up all handpieces except Micro motor All handpieces are in the holder



Enhancing the convenience of assistant work. Handpiece holder is detachable and autoclavable. Up to 4 hand pieces are mountable. The maximum load on the assistant tray is 1kg. You can put the apex locator or the caries diagnostic tester on the tray and help assistants to work more flexible.

- ① Chair preset switch
- ② Chair auto return switch
- ③ Chair last position switch
- ④ Cup filler switch
- ⑤ Bowl flush switch
- ⑥ Dental light switch
- ⑦ Extra switch



Large cuspidor bowl

Newly designed cuspidor bowl made it possible to prevent from water's spattering and blood sticking. The patient can rinse the mouth at natural sitting position thanks to the rotatable bowl.



Weight sensor type cup filler (option)

Various Types of cups (paper, plastic, stainless) can be used.

Optional Features



The table of longer arm type can rotate at 180 degree.
The doctor can easily reach handpieces at 6 o'clock position.

LONGER ARM TYPE

Dental Light

Articulate balance arm for assistant holder



Monitor bracket on light post



Monitor bracket at the doctor table side



Only mountable on the standard arm type.

Large cuspidor unit cover for amalgam separator



Amenity box on junction box



Clean water system



Slim type armrest



900 Dental Light Type 920 (LED)

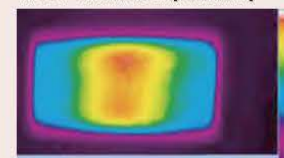


Basic Specifications

- Light intensity: 4,000–35,500 lux
stepless control
- Light intensity composite mode: 5,500 lux
- Color rendering index: more than 90
- Light pattern: 85 x 155 mm



- Color temperature:
5,000 Kelvin at any intensity
- LED modules: 10
- Power requirement: 100–240 VAC
- Focal distance: 650 mm



Lineup

LINEUP

BASE MOUNT TYPE
STANDRD. ARM TYPE



BASE MOUNT TYPE
LONGER ARM TYPE



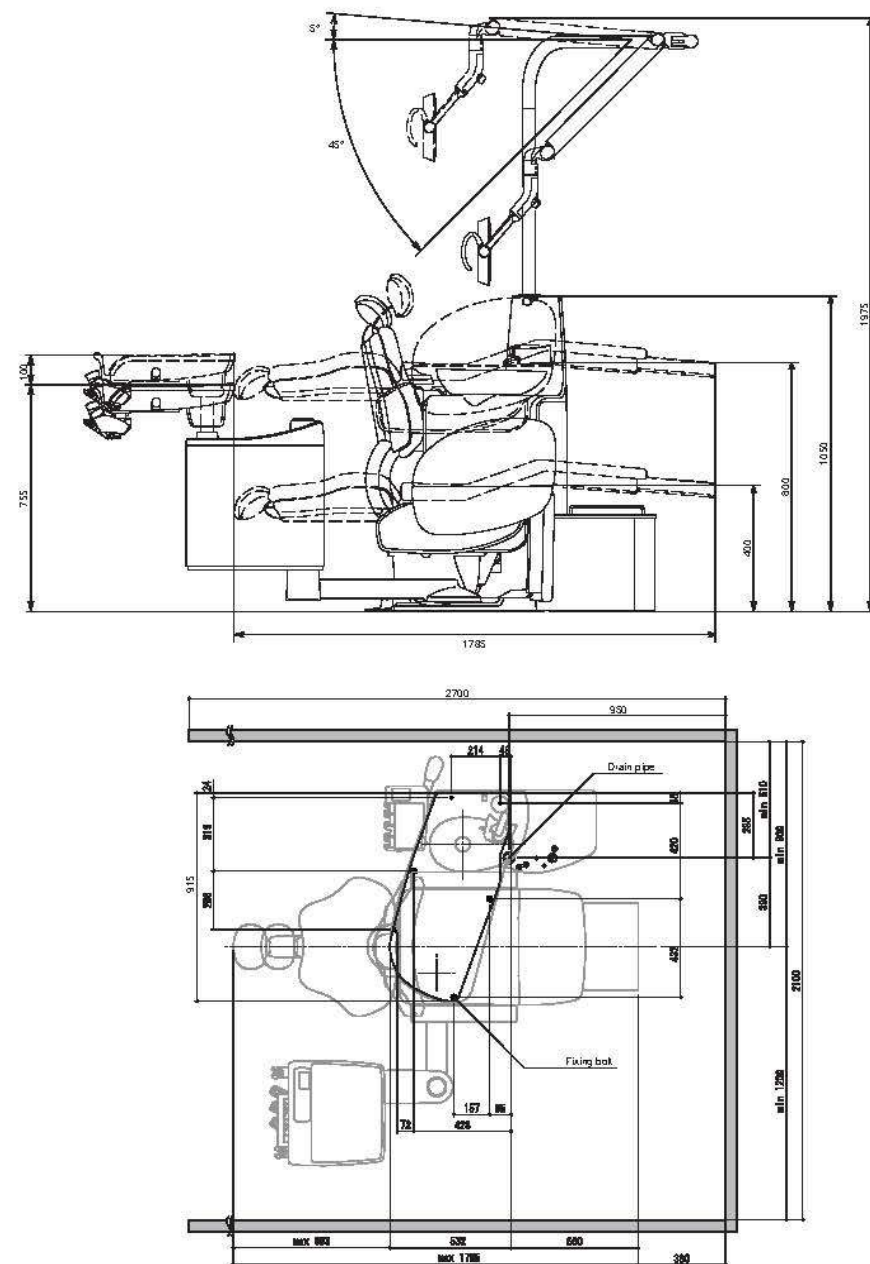
CART TYPE



COLOR VARIATION



CP-ONE PLUS DIMENSIONS



The specification and colors are subject to change without notice.
The handpieces depicted throughout this brochure are not necessarily included.

Names of Components

Dental Unit & Chair : CP-ONE PLUS
Dental Chair : CP-ONE PLUS CHAIR
Dental Unit : CP-ONE PLUS UNIT / CP-ONE PLUS UNIT WITH ACCESSORIES
Dental Light : 900 DENTAL LIGHT
900 DENTAL LIGHT TYPE 920 / 900 DENTAL LIGHT TYPE AL-920
900 DENTAL LIGHT TYPE 920 WITH ACCESSORIES
701 DENTAL LIGHT
DENTAL LIGHT MODEL 720S
DENTAL LIGHT MODEL 720S WITH ACCESSORIES



Takara Belmont Corporation

2-1-1, Higashishinsaibashi, Chuo-ku, Osaka 542-0083, Japan

TEL: +81-6-6213-5945 FAX: +81-6-6212-3680 <http://www.takarabelmont.co.jp/global/>

CREDIA
G1



TAKARA BELMONT CORPORATION
OSAKA HEADQUARTERS : 2-1-1, HIGASHI-SHINSAIBASHI, CHUO-KU, OSAKA, JAPAN 542-0083
TEL. +81-6-6213-5945 <http://www.takarabelmont.co.jp/global/dental/>

Dental Treatment Center

The manufacturer reserves the right to alter or improve specifications without notice.



Belmont is a World-Renowned Brand for Quality Equipment

World

From Japan to the World

When customers around the world are satisfied and our industry is thriving, we all grow and prosper. With this in mind, Belmont has expanded its overseas business bases to 11 countries. We are constantly developing our local business connections. Both domestically and internationally, we are working to deliver genuine satisfaction and comfort.



Health

Form and Function Combine to Create New Standards for Health

Our wide range of products and services are aimed at supporting the success of professionals such as dentists and doctors. At Belmont, we are in the business of helping anyone who aspires to a healthy life. Our products and services are used where and when it counts.

History

A History of Growth and Excellence

In 1921, Hidenobu Yoshikawa founded Belmont as a manufacturer of equipment for barbershops and beauty salons. By the 1950s, the company held a leading share of the Japanese market, thanks to the superiority of its designs and the outstanding functionality of its equipment. Belmont began expanding overseas in the 1950s, establishing subsidiaries in the USA, Canada, Europe, and South America. In the 1960s, we drew on our advanced hydraulic technology and began manufacturing dental chairs, which were soon followed by other dental equipment. Nowadays, Belmont operates subsidiaries in many regions around the world. In each plant, we enforce a rigid quality control system to manufacture reliable, trouble-free equipment incorporating our innovative designs—that's the Belmont way.



1940s



1960



1969



2011



2005



Technology

Pursuing Advanced Technologies to Manufacture Safe, High-Quality Products

Hydraulic devices offer the advantages of high power, safety, durability, and quiet and smooth operation. Although these devices were traditionally used for industrial purposes in factory equipment, machine tools, and aircraft, Belmont envisaged a wider range of applications that would be possible if they were made smaller and if maintenance problems were eliminated. Incorporated into our daily lives, hydraulic devices would provide new levels of comfort for us all. The realization of this dream began in 1957 with Belmont's original low-pressure electro-hydraulic devices.

Belmont—the Mark of Reliable, Durable, and Top-Quality Dental Equipment

Belmont has been manufacturing dental equipment and selling it worldwide since the 1960s. From the very beginning, we have built a solid reputation for outstanding reliability.

Belmont dental chairs use an electro-hydraulic system that we have been continuously improving since the launch of our first hydraulic chair in 1936. Our chairs have been embraced in many parts of the world thanks to their accurate and smooth operation, their high load capacity, and—above all—their durability. Ergonomically designed, our chairs are built to ensure the comfort of the patient and dentist alike.

Our dental units incorporate a pneumatic system which is simple, durable, and very easy to service. Japanese manufacturing expertise ensures that the valves and fittings work accurately and require very little servicing.

Belmont maintains strict quality control of products and parts, both within the company and in dealings with vendors. The company adopted an established quality management system based on international standards, and this has been transplanted to all of our manufacturing bases around the world.



CREDIA
G1 Dental Treatment Center

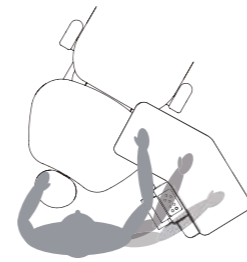
Dentist's Section



Holder Type

Keep Everything within Arm's Reach

The large and spacious tray section has a curved shape that allows you to reach everything with minimal effort.



Instrument Holders of Universal Size for Easy Handling

The instrument holders are designed to stably hold different sizes of instruments.

Chair Control Panel



- LP : Rinsing position and last position
- 0 : Initial position
- 1 : Programmed position 1
- 2 : Programmed position 2



Continental Type (Rod Type)

Minimize Fatigue

The rods that hold the handpiece tubing maintain optimal tension to support the tubing during dental procedures. Little effort is required to put the instruments back in the tray. The rods have a smooth surface that is easy to clean.

Tray Holder



Trays are not included.

Chair Control Panel



- LP : Rinsing position and last position
- 0 : Initial position
- 1 : Programmed position 1
- 2 : Programmed position 2



Cuspidor and Assistant Instruments



Easy to Maintain

The porcelain cuspidor bowl is detachable and easy to clean. Switches to activate cup filling are easily accessible, both for the patient and the assistant.



Assistant Instruments

Instruments that assistants can use including a three-way syringe, an HVE, and a saliva ejector with adjustable flow control. A water service outlet with flow control and a toggle switch for flushing the bowl are located on the front panel.



Clean water system with cover

Clinical Flexibility

Right or Left-Handed

The dentist's section is symmetrically designed and the cuspidor body supports installation for left-handed dentists.

Two-Handed or Four-Handed

A flexible arm enables the assistant's instruments to be positioned conveniently for either two- or four-handed dental work.



Chair

Patient Comfortable



Various Treatment Positions

With a wide range of movement, this chair supports a practical working environment that meets all the operator's requirements.

Smooth Motion and Heavy Lifting Capability

The chair's high-quality electro-hydraulic system provides smooth motion while handling patients weighing up to 200 kg. The j.box can be located up to 800 mm in front of the chair.



Patient Comfort

The ergonomic reclining backrest supports the patient in comfort and accommodates natural body movements.



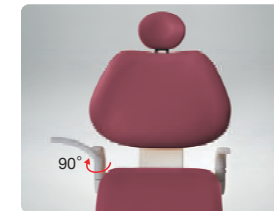
Hands-Free Operation

Hands-free manual chair movement is made possible by a fast-responding foot switch located at the base of the machine. This design eliminates the need for wired foot switches, thereby reducing clutter at the operator's feet and making it easier to clean around the machine.



Flexible and Comfortable Positioning

This model features a twin-axis headrest with an elongated post to accommodate taller patients. The flexibility of this dual-articulating system means that the chair can be set up to provide a comfortable seating position for a wide range of patients. It can even be set up backwards for patients in wheelchairs.



Long armrests

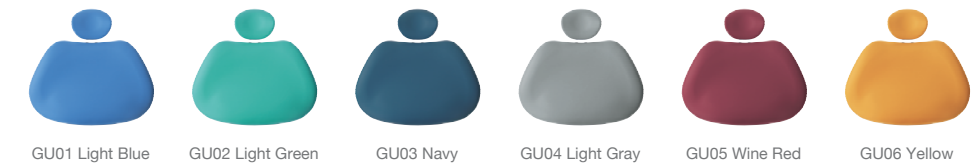


Short armrests

Easy Entry

Right and left armrests come standard. The swivel armrest on the right helps easy entry of the patients. Fixed and compact armrests with oval shaped ends are also available as option.

Color Choices



Operator's Stool

This stool, which features a backrest with an adjustable angle, can be set up at any height from 473 mm to 623 mm.



LED Dental Light



Touchless Activation

Light operation function is activated by a touchless sensor, so it is unnecessary to look away from patients. ON/OFF and Composite Safe Mode activation is done without operators ever contacting the light.



Easy on the Eyes - For Dentists and Patients Alike

LED operatory lights have been engineered to minimize operator eye fatigue and to prevent light from shining directly into the patient's eyes. The brightest light is directed into the oral cavity and becomes gradually less bright across the patient's cheek area.

Positioning Flexibility

The light head may be rotated around 3 axes, for maximum positioning flexibility. Operators can effortlessly direct illumination where it is needed using one hand.

The Exact Brightness You Need

Each operatory has different ambient light conditions. With this in mind, LED lights include a stepless intensity control to adjust brightness to suit the actual operatory lighting conditions. LED output can be adjusted between 3,100 lx and 28,000 lx, while maintaining the 5,000 K color temperature that is ideal for tooth shade matching.

Specifications

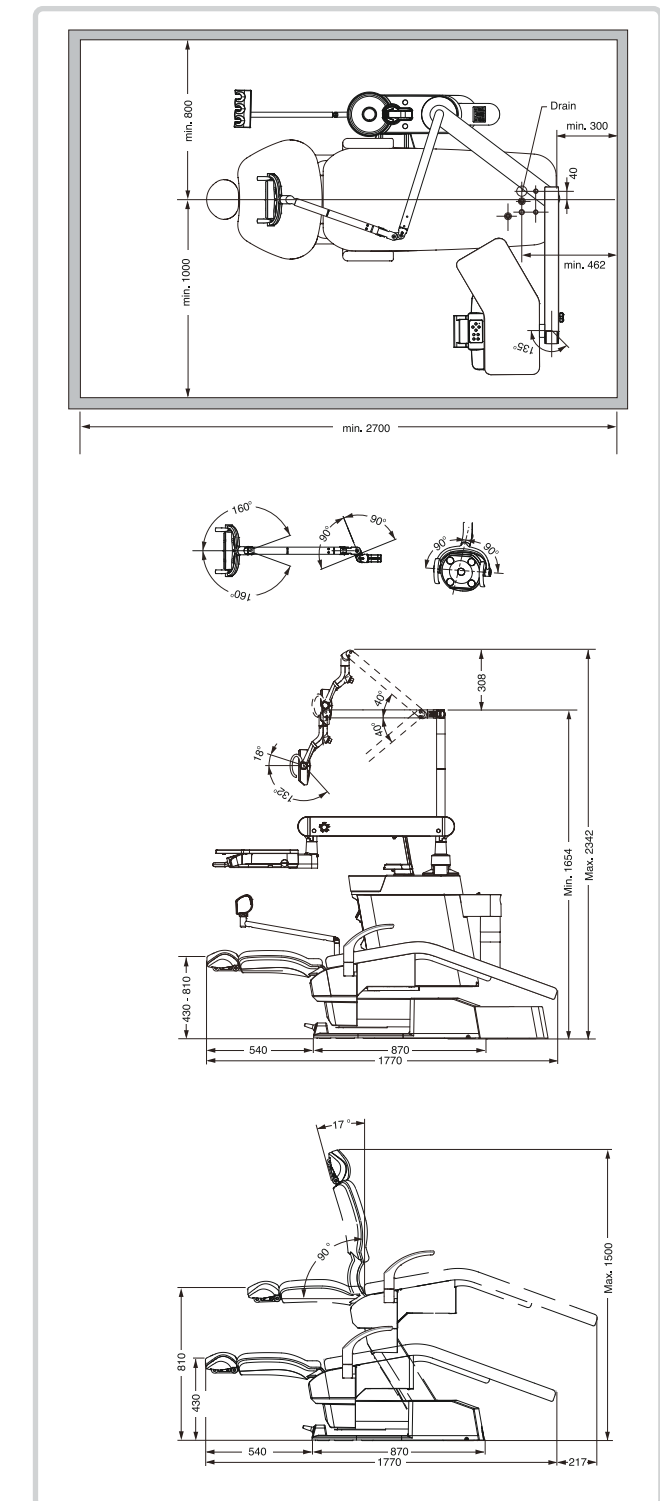
Dental Unit		
Dentist's Section		
Delivery type	Over the patient using balance arm with manual brake	●
Umbilical hoses	Internal umbilical	●
Control	Pneumatic	●
Handpiece delivery	Holder type (traditional)	▲
	Rod type (continental)	▲
Control panel	Membrane switches for chair operation (manual and programmed positions) / Cup filler switch	●
		▲
Instrument positions	Four positions, including three-way syringe	▲
	Five positions, including three-way syringe	▲
Others	Handpiece oil mist separator	●
	Transformer 24 V/4 A	●
	Flush out of water line with a toggle switch	▲
	Intraoral-size film viewer (126 mm x 46 mm)	▲
Dentist's instruments	Three-way syringe	●
	Four hole tubing (Midwest type)	▲
	Four hole tubing for fiber-optic instrument (Midwest type)	▲
	Three-hole tubing (Borden type)	▲
	Ultrasonic scaler (dealer option)	□
Cuspidor Section		
Type of mount	Chair mounted	●
Cuspidor bowl	Detachable, porcelain	●
Cup filler	Air timer	●
	Water heater for cup filler	▲
Bowl flush	Controlled with air timer. Linked with cup filler and activated with toggle on front panel	●
Vacuum and saliva ejector	Central vacuum, central saliva ejector	▲
	Air vacuum, air saliva ejector	▲
Light post	Straight light post, φ 42.7 mm with hole for monitor bracket and rotatable curved post	●
		●
Control panel	Water service outlet with flow-adjustment valve	●
	Toggle switch for bowl flush	●
Water supply	City water	●
	Clean water system with 750 ml bottle	▲
Assistant instrument's arm	Swing arm and three instrument holders	●
	Vacuum handpiece. Detachable and autoclavable. ID φ 11 mm	●
	SE handpiece. Detachable and autoclavable	●
Accessories	Monitor bracket	△
	Viials × 5	△
	Cotton containers × 2	△
	Stainless steel waste receptacle	△
	Male connector for water service outlet	△
	Panorama size film viewer (315 mm × 150 mm)	△

- Provided as standard
- ▲ Option. Not selectable individually. Consult dealer
- △ Purchase separately
- Dealer option

Dental Chair	
Patient capacity	200 kg
Seat	430 mm-810 mm via electrohydraulic action
Backrest	0°-73° via electrohydraulic action
Seat angle	Fixed at 10°
Armrest	Fixed. Long swivel armrest (one side only)
Headrest	Double articulating. Manually adjustable
Operation	Joystick switch on chair base (Up, Down, Forward, Back) and membrane switch on dental unit (Up, Down, Forward, Back, P1, P2, LP, 0)
Safety lockout switches	Safety switch under chair
	Safety switch activated by foot control on dental unit

Dental Light	
Light source	Five LEDs
Focal distance	650 mm
Intensity	3100 lux-28000 lux
Composite mode	4300 lux
Color temperature	5000 K
Light pattern	85 mm x 155 mm
Operation	Sensor

Dimensions



Power Input AC 115 V, 220 V, 230 V, 240 V; 50 Hz/60 Hz
Product Weight Total 214 kg-224 kg
 Chair 130 kg, Unit 70 kg-80 kg, Light 4 kg, Stool 10 kg

Premium LCD touchscreen sub-controller



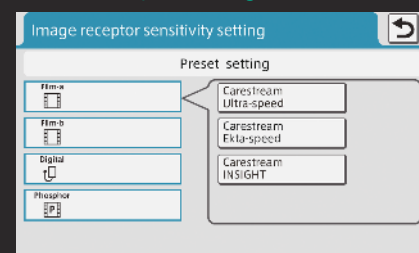
Intuitive and easy selection

Intuitive and easy selection of tooth type, cone type, film / digital modes, film speed, kV, mA and patients size.

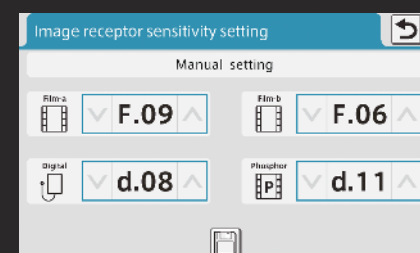
Customizable LCD display view

LCD display view can be customized for operator preference. Built-in USB side port enables operators to import personalized screen saver photographic images or dental practice / doctor's name for practice identification and branding.

Sensitivity setting

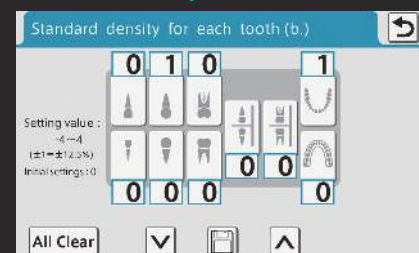


Select your image receptor on the screen, then suitable sensitivity setting will be selected from 16 steps automatically.



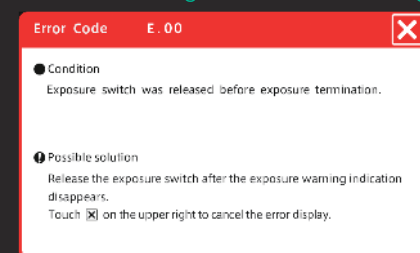
If the darker (or lighter) radiographs are preferred, the sensitivity setting can be adjusted manually.

Tooth density



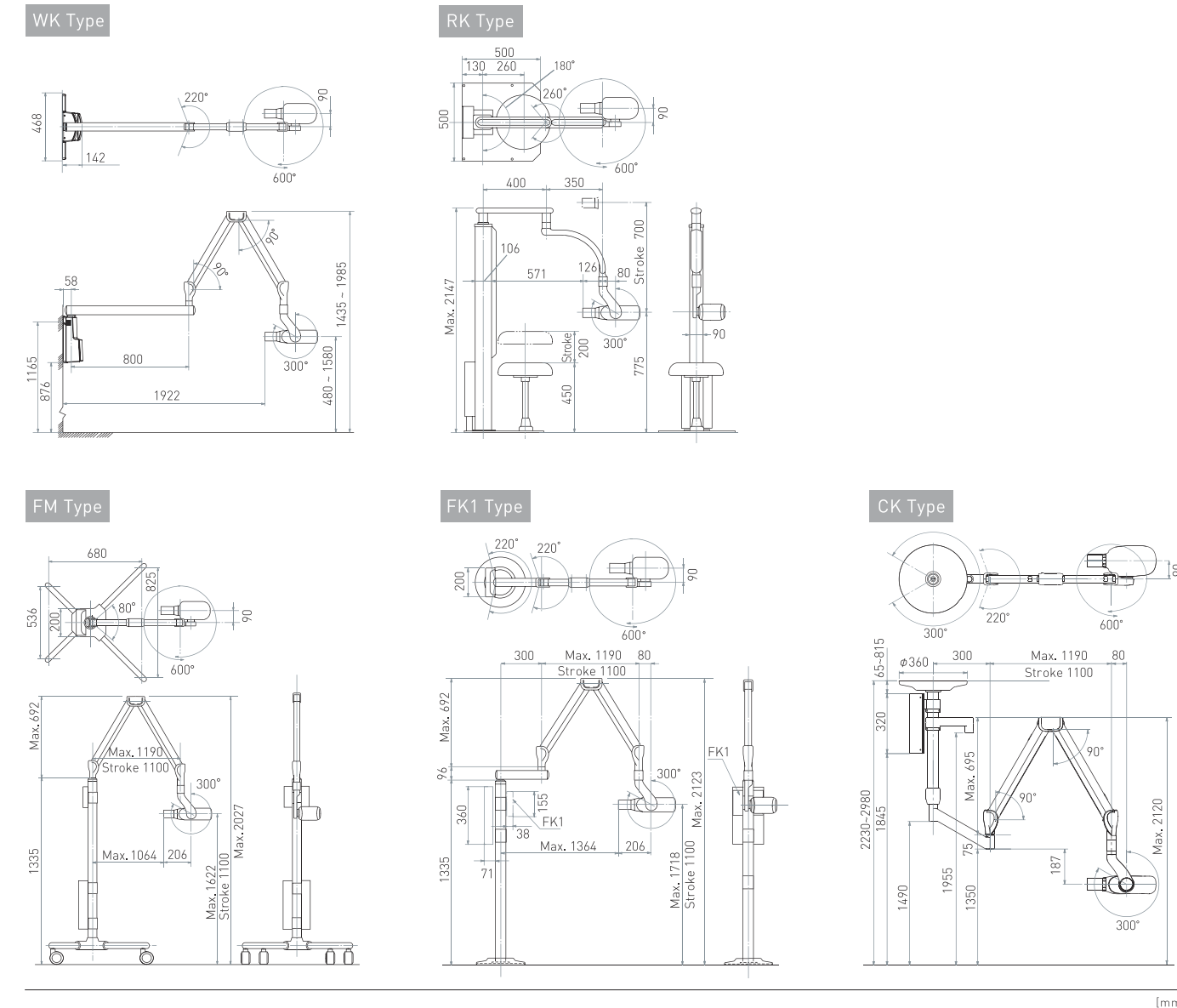
Tooth density ratio settings can be adjusted from the default setting for each tooth.

Error message troubleshooting



If the X-ray should encounter any abnormal conditions, an error message will be displayed on the LCD sub-controller screen as well as the suggested troubleshooting solution for the abnormal condition.

Dimensions



Nominal focal spot value	0.4 (IEC 60336)	
Rated tube potential	60 kV / 70 kV (selectable)	
Rated tube current	3 mA / 6 mA (selectable)	
Rated line voltage	100 / 110 / 120 / 220 / 230 / 240 V AC 50 / 60 Hz	
Rated line current (at 70 kV / 6 mA)	· 11.0 A (100 V) · 10.5 A (110 V) · 10.0 A (120 V) · 6.4 A (220 V) · 6.2 A (230 V) · 6.0 A (240 V)	
Line voltage range	± 10%	
Exposure time	0.01 to 2.0 sec.	
Total filtration	2.0 mmAl Equivalent at 70 kV	
Source to skin distance (SSD)	Regular cone	203 mm
	Long cone (option)	305 mm
	Rectangular collimator (option)	SSD of cone + 40 mm
Duty cycle	1 : 30	
Half value layer	1.5 mmAl over	
Density preprogram	Film	16 programs
	Digital Sensor	16 programs

- Names of Components
 Dental X-ray : PHOT-XIIS MODEL 505
 : PHOT-XIIS 505
 : PHOT-XIIS
 : PHOT-XIIS MODEL 505 DENTAL X-RAY SYSTEM
 : PHOT-XIIS MODEL 505
 : PHOT-XIIS 505
 : PHOT-XIIS
 : PHOT-XIIS MODEL 505 DENTAL X-RAY SYSTEM
 : PHOT-XIIS 505 WITH ACCESSORIES



Reliable DC X-ray by Belmont

Belmont's High Frequency Technology allows for

- High resolution image by a small focal spot
- Reduced skin dosage with optimum radiation level for every diagnostic need
- Easy to position compact tube head
- Ideal matching for digital imaging system

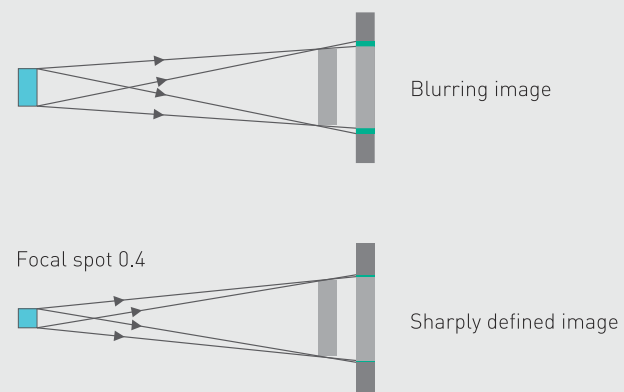


Standard Sub-controller

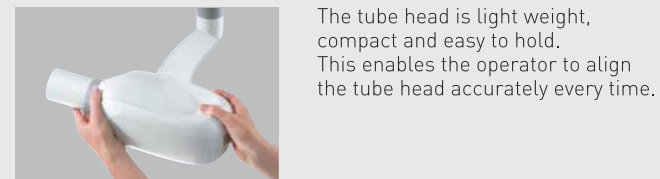


Features

Small 0.4 focal spot value for the sharpest image possible



Easy to position compact tube head

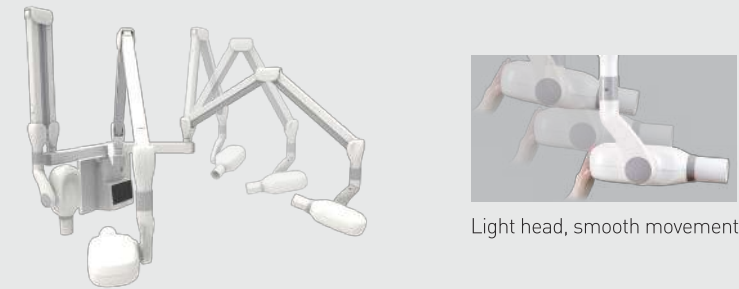


The tube head is light weight, compact and easy to hold. This enables the operator to align the tube head accurately every time.

Optimum radiation level for every patient

The operation is simple. Select patient type and tooth type, then press the exposure switch. The exposure time can also be adjusted manually. After the exposure, the radiation output can be displayed in the window.

Realization of Slim and light arm



Light head, smooth movement

Our spring arm is designed to have a good balance with load and repulsive force at any position within the movable range and make it possible to make tube head stay at any point when the hands are released. Moreover, well balanced rigidity design helps to reduce the vibration of the tube head after positioning. These methods realize the smooth and easy positioning of the tube head.

Radiation dosage

PHOT-XIIS utilizes a Direct Current (DC) generator to minimize radiation absorbed by patients. In addition, there are 36 programmable exposure time settings between 0.01 to 2.0 seconds to fine tune the precise amount of radiation required to produce an excellent radiographic image.

Five types of installations

- WK Wall mounted type
- RK Room type with stool
- FM Mobile type with castors
- FK Floor mounted. Sub-controller can be installed on the pole (FK1) or on the wall (FK2)
- CK Ceiling mounted type. Dental light can be mounted on the pole as an option (CKL Type)



WK Type (Sub-controller can be mounted on the main controller or on the wall)

RK Type



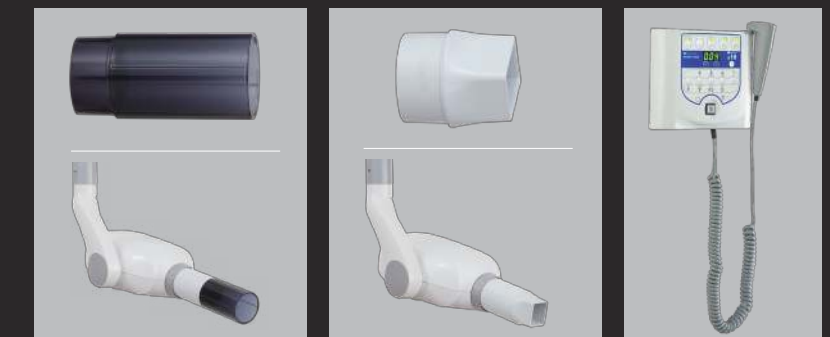
FM Type

FK1 Type

CK Type

Options

- Horizontal arm length of WK Type is selectable : 300 mm, 500 mm, 650 mm, 800 mm (standard) and 1000 mm
- Ceiling pole length of CK / CKL Type is selectable : 600 ~ 1350 mm
- Long cone (Short cone + Long cone collimator) for paralleling technique
- Rectangular collimator
- Hand exposure switch with coiled cord (Option for WK, RK, FK2 and CK. Standard for FM and FK1.)



Short cone + Long cone collimator

Short cone + Rectangular collimator

Hand exposure switch